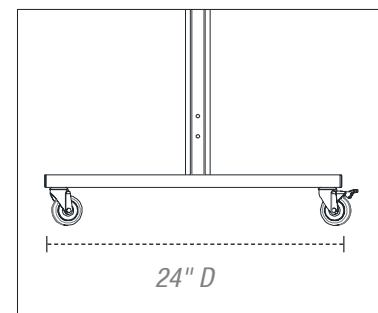
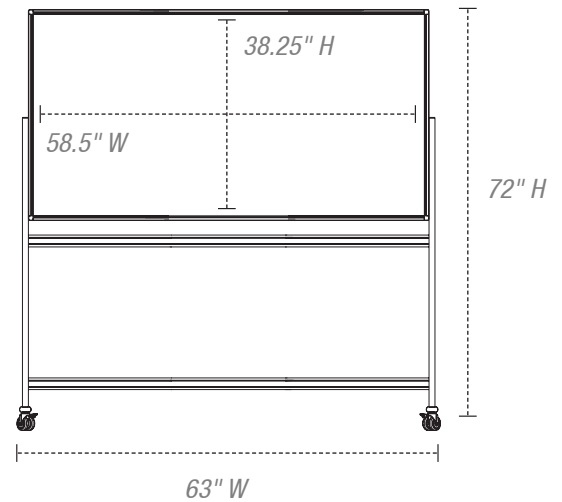


MMGB6040M – SPEC SHEET

MMGB6040 – DOUBLE-SIDED MOBILE MAGNETIC GLASS MARKER BOARDS

Product Specifications

Item Number	MMGB6040
Material	Painted Glass
Frame	Aluminum; .75" edging
Surface Type	Magnetic Glass
Full Dimensions	63" W x 24" D x 72" H
Board Dimensions	58.5" W x 38.25" H
Base Dimensions	63" W x 24" D
Tray Length	35.5" W
Casters (4)	3" rollerblade-style; two casters include locking brakes
Actual Weight	94 lbs.
Shipping Method	Freight
Shipping Carton Dims	67"W x 58"D x 3"H
Shipping Weight	112 lbs.
Assembly Required	Yes



**To Order, Call Your
Sales Representative
or 800-323-4656**

2245 Delany Road, Waukegan, IL 60087
800-323-4656 | Fax 847-244-1818 | www.LuxorFurn.com

LUXOR

INNOVATIVE WORKSPACE PRODUCT SOLUTIONS