

**361-501 EASY RIDER (MUSTANG)**

**361-502 EASY RIDER (PONY)**

**361-503 EASY RIDER (ZEBRA)**

**361-504 EASY RIDER (BRONCO)**

**\* IMPORTANT \***

PLEASE RETAIN THIS INSTRUCTION SHEET IN YOUR FILES. IT CONTAINS IMPORTANT REPLACEMENT PARTS INFORMATION. ALL EQUIPMENT SHOULD BE INSTALLED IN ACCORDANCE WITH THESE INSTRUCTIONS.

IT IS IMPORTANT TO USE AND MAINTAIN ALL PUBLIC PLAYGROUND EQUIPMENT PROPERLY. PLAYGROUND EQUIPMENT WHICH IS IMPROPERLY MAINTAINED CAN CAUSE SERIOUS INJURY. PERIODICAL INSPECTIONS, MAINTENANCE, REPAIR AND/OR REPLACEMENT OF DAMAGED PARTS IS NECESSARY FOR SAFE OPERATION OF EQUIPMENT AND SAFETY OF USERS. RESILIENT SURFACING SHOULD BE USED UNDER ALL PLAYGROUND EQUIPMENT. APPROPRIATE PUBLICATIONS, AVAILABLE AT NO CHARGE, FROM THE CONSUMER PRODUCT SAFETY COMMISSION, INCLUDE "A HANDBOOK FOR PUBLIC PLAYGROUND SAFETY." YOU CAN RECEIVE YOUR FREE COPY BY CALLING 1-301-504-7908



**PACKING LIST for 361-501**

- 1 CTN - 1 Hardware Bag
- 1 363-001 Mustang
- 1 CTN - 1 363-950 Spring Assy.

**PACKING LIST for 361-502**

- 1 CTN - 1 Hardware Bag
- 1 363-002 Pony
- 1 CTN - 1 363-950 Spring Assy.

Note: Hardware Bag is the same for all Packing Lists.

**PACKING LIST for 361-503**

- 1 CTN - 1 Hardware Bag
- 1 363-003 Zebra
- 1 CTN - 1 363-950 Spring Assy.

**HARDWARE BAG**

- 4 - 116-506 5/16" x 1 1/2" Hex Hd Bolt
- 4 - 196-644 3/8" x 8" Anchor Bolt
- 8 - 316-501 5/16" Flat Washer
- 4 - 226-501 5/16" Lock Nut
- 4 - 226-601 3/8" Lock Nut
- 4 - 216-601 3/8" Hex Nut
- 4 - 316-601 3/8" Flat Washer
- 1 - 805-532 Warning Label
- 1 - 805-534 SportsPlay Label
- 1 - Maintenance Checklist

**PACKING LIST for 361-504**

- 1 CTN - 1 Hardware Bag
- 1 363-004 Bronco
- 1 CTN - 1 363-950 Spring Assy.

2 CTN	1 PC	2 TOTAL PCS	WT 56#	CLASS 70
-------	------	-------------	--------	----------

**361-501 EASY RIDER (MUSTANG)**

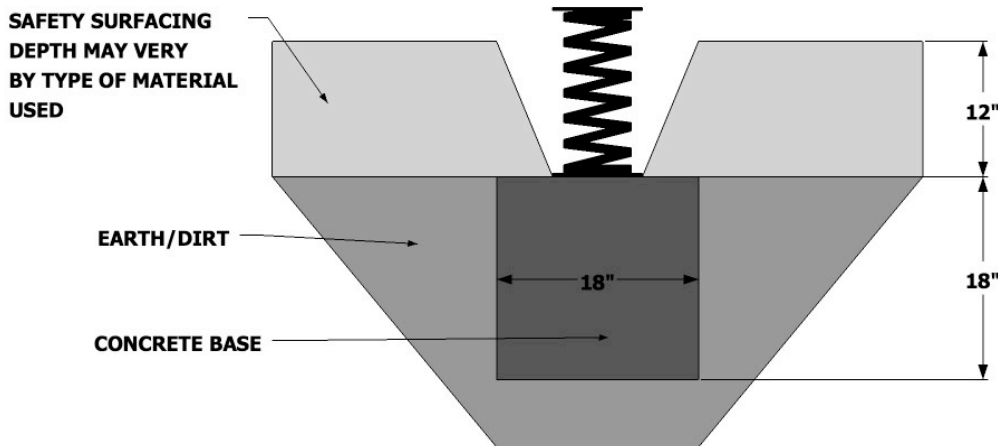
**361-502 EASY RIDER (PONY)**

**361-503 EASY RIDER (ZEBRA)**

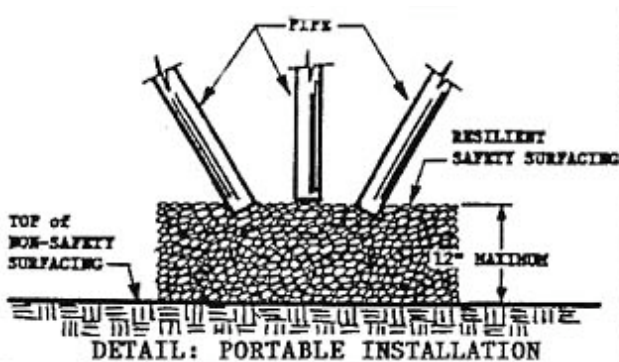
**361-504 EASY RIDER (BRONCO)**

**GENERAL USE/FALL ZONE & FOOTING RECOMMENDATIONS**

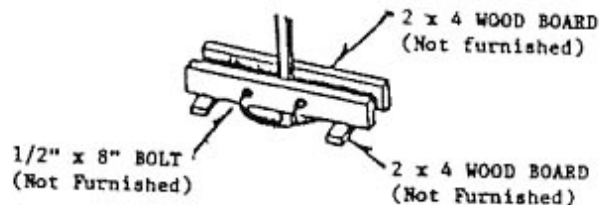
STATIONARY & PORTABLE EQUIPMENT - USE/FALL ZONES SHOULD EXTEND A MINIMUM OF 6 FEET IN ALL DIRECTIONS FROM THE PERIMETER OF THE EQUIPMENT GROUND SPACE. THIS AREA SHOULD BE COVERED WITH THE REQUIRED AMOUNT OF RESILIENT SAFETY SURFACING MATERIAL. FOR SOME EQUIPMENT - USE/FALL ZONES CAN OVERLAP. SEE CONSUMER PRODUCT SAFETY COMMISSION GUIDELINES. DIAMETER & DEPTH OF FOOTINGS ILLUSTRATED ARE SATISFACTORY IN MOST APPLICATIONS FOR PIPE SIZES UP TO 2 3/8" DIAMETER. VARYING SOIL & CLIMATIC CONDITIONS MAY REQUIRE DEEPER & HEAVIER FOOTINGS IN SOME AREAS. CHECK LOCAL BUILDING CODES.



\* If resilient surfacing is to be less than 12", then additional pipe should be put in concrete to maintain proper finish grade for equipment.



**SUGGESTED BRACING METHOD:**



**DETAIL: PERMANENT INSTALLATION**

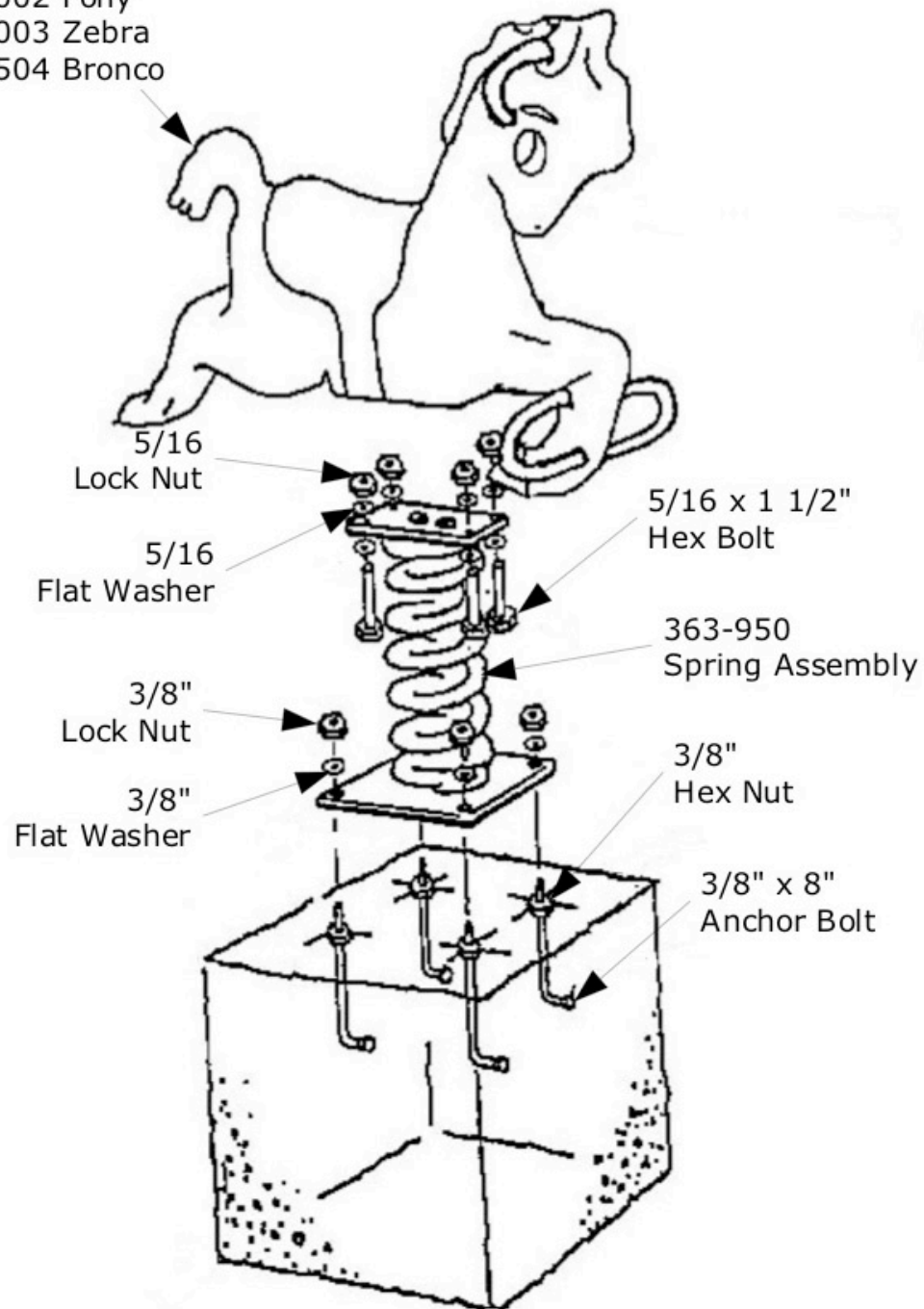
361-501 EASY RIDER (MUSTANG)

361-502 EASY RIDER (PONY)

361-503 EASY RIDER (ZEBRA)

361-504 EASY RIDER (BRONCO)

- 363-001 Mustang
- 363-002 Pony
- 363-003 Zebra
- 363-504 Bronco



**361-501 EASY RIDER (MUSTANG)**

**361-502 EASY RIDER (PONY)**

**361-503 EASY RIDER (ZEBRA)**

**361-504 EASY RIDER (BRONCO)**

Page 4  
Rev 01/25/11

**GENERAL ASSEMBLY INSTRUCTIONS:**

Check all the parts and hardware with the packing list to be sure you have received everything needed to assemble this product. CONTACT YOUR LOCAL DISTRIBUTOR WITH NOTIFICATION OF ANY MISSING OR DAMAGED PARTS. Contact must be made within ten days of receipt of your order.

Only hand-tighten nuts & bolts on initial assembly. Final tightening should be done EVENLY after final assembly when unit has been plumbed & leveled. After assembly is complete, ANY ENDS OF BOLTS PROTRUDING BEYOND NUTS SHOULD BE CUT OFF AND/OR PEENED OVER TO REMOVE ANY SHARP EDGES. Go over entire unit to file smooth any sharp edges or projections that may have been caused by rough handling in shipping or installation. T-Clamps are designed for both one and two bolt connections. In many situations only one bolt is required. See specific assembly instructions. On products with platforms install 1 - 2 degrees off level to facilitate water drainage.

**SPECIFIC ASSEMBLY INSTRUCTIONS:**

- STEP #1: Dig footing hole & fill with concrete. (Approx. 3.5 cubic feet.)
- STEP #2: Before concrete sets, assemble anchor bolts to bottom plate of spring with a Hex Nut & Lock Nut.
- STEP #3: Push this assembly down into the wet concrete until plate is level with top of concrete.
- STEP #4: After concrete hardens for at least 48 hours, bolt pony in place. Add resilient surfacing.
- STEP #5: IMPORTANT: After equipment has been in use for three or four days, all bolts & nuts must be checked and retightened if necessary.
- STEP #6: Attach Warning Label and Manufacturer's Identification Label to a clean surface. The Labels should be attached in a location where they are clearly visible and legible and away from normal hand and foot placement areas. The Labels must be replaced if they become illegible, destroyed or removed. Contact your distributor for replacement Labels.

**GENERAL MAINTENANCE INSTRUCTIONS:**

Check WEEKLY/DAILY (DEPENDING ON USE) for loose bolts, damaged or broken parts. Tighten and/or replace immediately. Inspect unit for sharp edges or damaged finish and smooth or repair with touchup paint. Contact your distributor for replacement parts

**KEEP A COPY OF THESE INSTRUCTIONS ON FILE FOR MAINTENANCE PURPOSES**

361-501 EASY RIDER (MUSTANG)

361-502 EASY RIDER (PONY)

361-503 EASY RIDER (ZEBRA)

361-504 EASY RIDER (BRONCO)

Page 5  
Rev 01/25/11

USE ZONE

