

## Heavy Duty A/V Cart

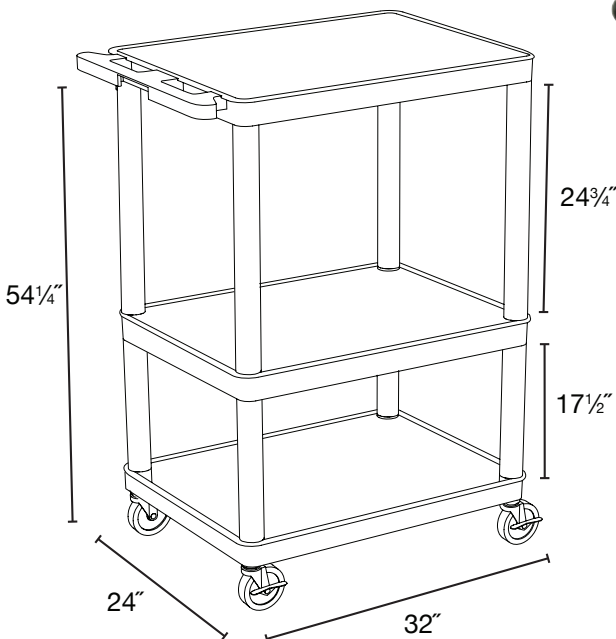


**LP54E-B**  
32"W x 24"D x 54<sup>1</sup>/<sub>4</sub>"H



**LP54CE-B**  
32"W x 24"D x 54<sup>1</sup>/<sub>4</sub>"H

**MADE IN  
USA**



- Multipurpose utility cart perfect for use with audio/video equipment and more
- Measures 32"W x 24"D x 54<sup>1</sup>/<sub>4</sub>"H
- .25" retaining lip borders flat shelves to ensure minimal sliding
- Includes locking cabinet made from 20-gauge steel with powder coat paint finish, full piano door hinges with a set of two keys
- Cabinet inner dimensions measure 23<sup>1</sup>/<sub>4</sub>"W x 16<sup>3</sup>/<sub>4</sub>"D x 18"H
- Ergonomic push handle molded into the top shelf for optimum comfort
- Four 4" Heavy-Duty non-marring casters, two with locking brake, for mobility and stability
- Molded plastic shelves and legs won't stain, scratch, dent or rust
- Three-outlet surge suppressing 15" cord and cord management system to keep cart clean and organized
- Maximum weight capacity of 400 lbs. (evenly distributed)