

www.luxorfurn.com
www.hwilson.com

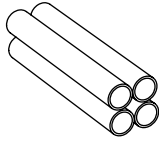
Parts List

Tools Required

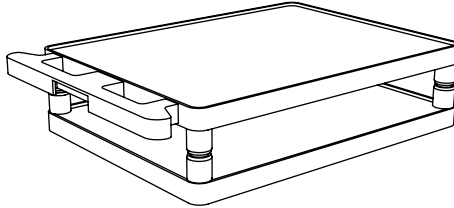
- Rubber Mallet

NOTICE:
Leg lengths may vary by model

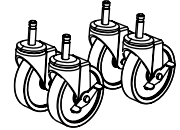
A x1



F x4

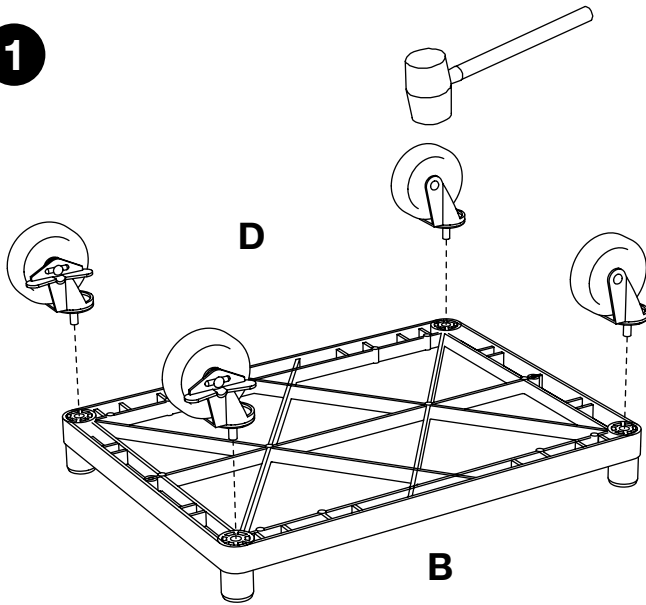


B x1



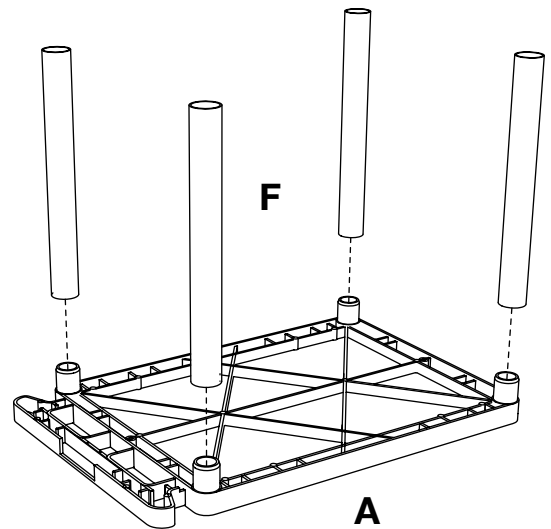
D x4

1

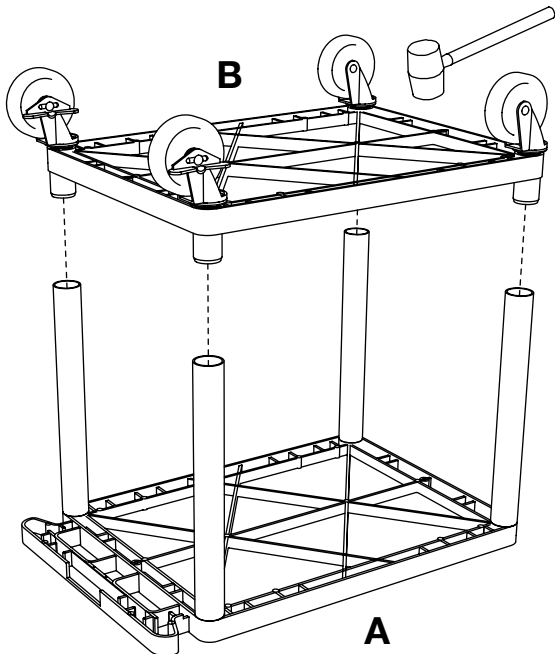


2

Install optional cabinet pack / pullout shelf / electrical assembly after step 1



3



4

