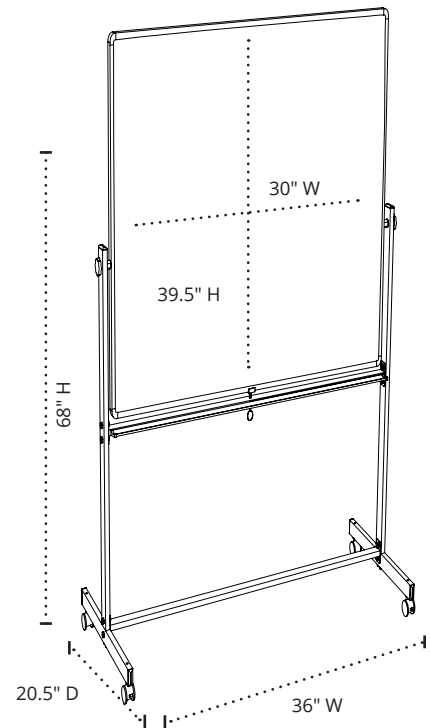


# MB3040WW

## Double-Sided Magnetic Whiteboard

### Product Specifications

Item Number	MB3040WW
Material	Painted Steel
Frame	Aluminum; 1" edging
Surface Material	Magnetic Painted Steel
Full Dimensions	36"W x 21"D x 68"H
Board Dimensions	30"W x 39.5"H
Base Dimensions	36"W x 20.5"D
Tray Dimensions	30" W x 3" D
Casters (4)	2" casters; two with locking brakes
Actual Weight	10 lbs.
Shipping Method	Ground
Shipping Carton Dimensions	42"W x 36"D x 2"H
Shipping Weight	28 lbs.
Assembly Required	Yes



To Order, Call Your  
Sales Representative  
or 800-323-4656