

FTT706
FTT2010
FTT2010-USB
FTT2010-USBAUS

Tech Tub²® Trolley



Assembly Guide

FTT706_2010_2010-USB_2010-USBAUS_2019_A

Check out our other products online at
www.copernicused.com

For assistance, please contact us:

1-800-267-8494

Email info@copernicused.com

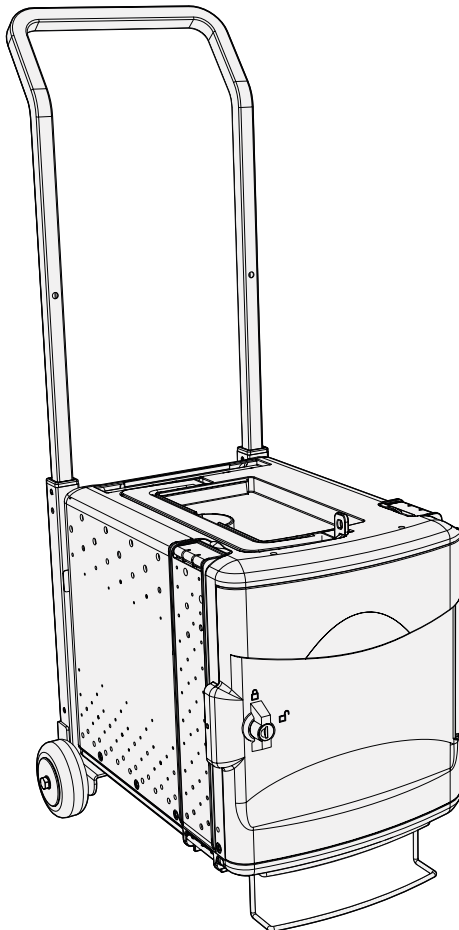
Have your packing slip ready for reference

WARNING

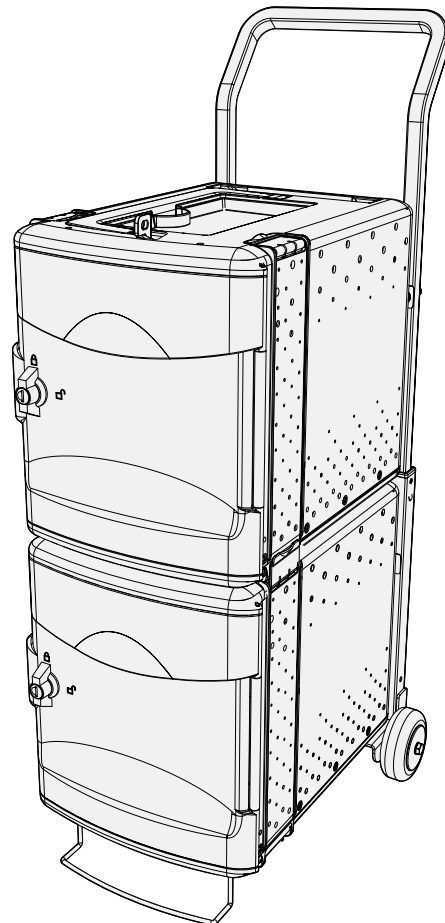


- This product is meant to be assembled by an adult.
- In its unassembled state, small parts present a hazard.
- To be used under direct supervision of an adult.

6 Device Trolley
(FTT706)



10 Device Trolley
(FTT2010, FTT2010-USB,
FTT2010-USBAUS)



Tech Tub²® Trolley



Assembly Guide

FTT706_2010_2010-USB_2010-USBAUS_2019_A

Check out our other products online at
www.copernicused.com

For assistance, please contact us:

1-800-267-8494

Email info@copernicused.com

Have your packing slip ready for reference

Dear Educator,

Thank you for purchasing the Tech Tub². We hope it meets all your expectations and you and your students enjoy using it at your school.

If you have any questions, concerns or ideas on how we can improve please let us know by contacting our Customer Solutions Ninjas at 1-800-267-8494 or info@copernicused.com.

Happy teaching,

Kaylyn Belcourt-McCabe
President

We do not inherit the earth from our ancestors, we borrow it from our children.

NORTH AMERICAN
PROVERB

Change is the end result of all true learning.

LEO BUSCAGLIA

What you leave behind is not what is engraved in stone monuments, but what is woven into the lives of others.

PERICLES

Education is the most powerful weapon which you can use to change the world.

NELSON MANDELA



Validate Your Warranty

To validate your warranty, submit the ON-LINE form at www.copernicused.com

Enter a draw to win a Copernicus Product for your classroom at the same time!



Warning! Hazard Risks!

Please read the warnings below for important safety information regarding your product. Failure to read these warnings or to follow the instructions below could result in personal injury or damage to your product that could void your warranty.



Small Parts

In its unassembled state, this product contains parts that can be hazardous to small children. This product should be assembled by an adult.



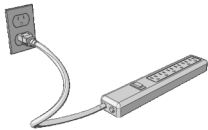
Adult Supervision

This product is to be used under the supervision of an adult.



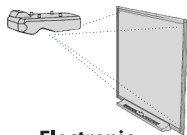
Indoor Use Only

This product is intended for indoor use only. To reduce the risk of fire or electric shock, do not expose this product to rain or moisture. The internal components are not sealed from the environment.



Power Strip Specifications

Read your power strip electrical specifications. Only plug in devices that are approved for use with this power strip. Connect the supplied power strip directly to a wall outlet. **Do not connect to another power strip or use an extension cord.** Unplug when not in use. **Do not leave this product plugged in for more than 72 consecutive hours.** Turn off power strip before unplugging.



Electronic Equipment

Read the electrical specifications of any electronic equipment you are using with your Copernicus products. Failure to read these specifications and follow their instructions could result in damage to your equipment or personal injury.



Cable Trip Hazard

Ensure that any cables extending across the floor to your product are properly bundled and marked to avoid tripping or falling which may lead to personal injury.



Electrical Shock

Do not install or use the electrical components of this unit during a lightning storm.



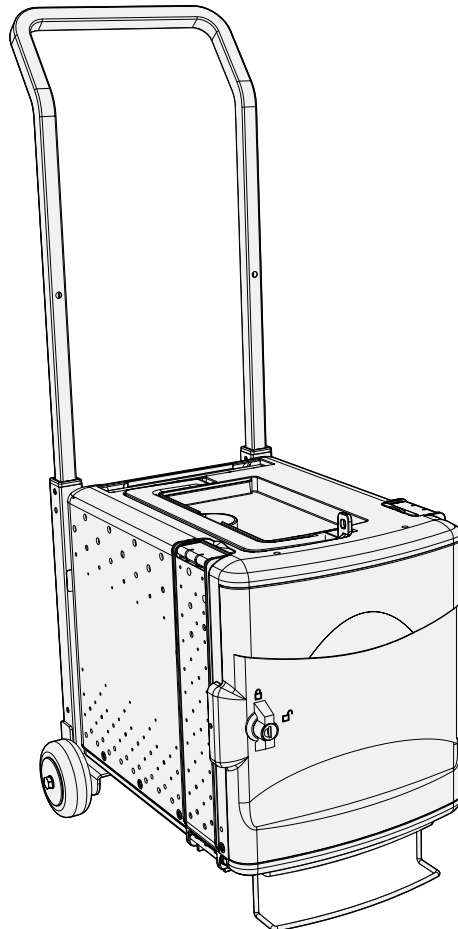
Climb Hazard

Do not climb on, hang from or suspend objects from any components of your product unless otherwise specified.

STOP!

**If you are building a FTT706
please follow this Assembly Guide
before following the Assembly Guide
that is included in your Tech Tub.**

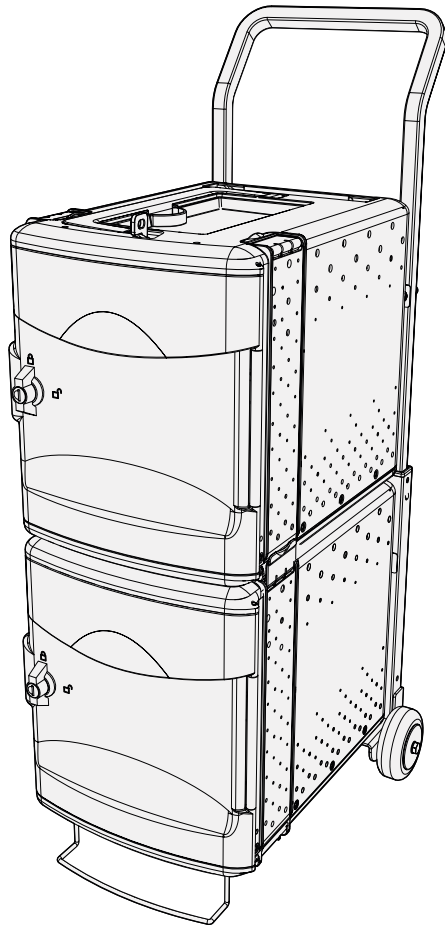
**Please skip any steps that are marked
for FTT2010, FTT2010-USB or
FTT2010-USBAUS ONLY.**



STOP!

**If you are building a FTT2010,
FTT2010-USB or FTT2010-USBAUS
please follow this Assembly Guide
before following the Assembly Guide
that is included in your Tech Tub.**

**Please skip any steps that are
marked for FTT706
ONLY.**



Tips for Assembly

Watch for These Helpful Symbols

This symbol denotes a 2-Person Task. For safety, please ensure that there are the suggested number of people working on steps displaying this symbol.



Watch for this symbol throughout the Assembly Guide. Wherever you see it, pay close attention. The symbol denotes a step needing extra attention to ensure it is done correctly.



The star symbol highlights an advisory note.



Before You Begin

- Lay out and identify all of the included parts.
- The hardware has been packed together in one bag.
- Read the assembly guide over once to familiarize yourself with them.



! Please note that in its unassembled state, this product contains parts that can be hazardous to small children. This product should be assembled by an adult.

As You Assemble the Unit

- Follow the steps in sequence.
- Before beginning each step, find the part(s) that you need for that step.
- Pay attention to the labels on the parts; they are there to help direct you at certain stages.
- The title of each step states what you will be doing. Review the text and the pictures as you build the unit.

Customer Service - FAQ's



For missing parts and other issues regarding this product:

Please call Copernicus Customer Service, where we will be happy to help. 1-800-267-8494. Monday - Friday 8:30am - 4:30 pm EST.

OR

Email our Tech Support Service at info@copernicused.com

Need Tech Support? Have a Question?



Email our Tech Support Service

Check out some of our other great products!



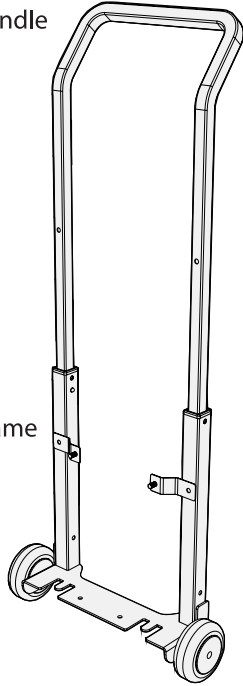
www.copernicused.com

Tech Tub²® Trolley

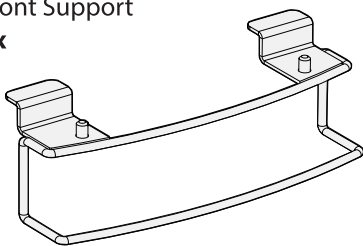
Before beginning, you should have:

Contents - Box 1

Trolley Handle
1x



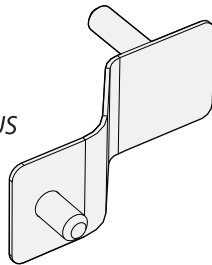
Trolley Frame
1x



Front Support
1x

Extension bracket
2x

*Used only with
 FTT2010
 FTT2010-USB
 FTT2010-USBAUS*



In Box 1

Hardware *Actual Size*

(A)

M6 x 15mm
2x



(B)

M6 Acorn Nut
4x



(C)

M6 Washer
6x



(D)

M6 Lock Washer
4x



(E)

M6 Lock Nut
2x



(F)

M5 Washer
4x



(G)

M5 Lock Nut
4x



Tools *Not to Scale*

Allen Key
 (43281)
1x



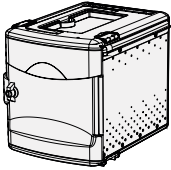
8mm/10mm Hex Wrench
1x



FTT706

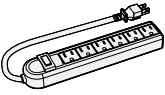
Tech Tub² Trolley

FTT700 (1x)



Tech Tub 2[®]
6 Device
Main Body

1x



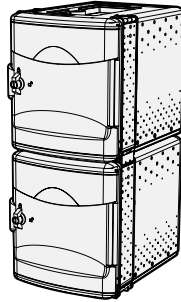
6 outlet
Power Strip
(25515)

1x

FTT2010

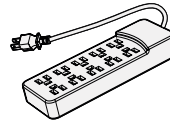
Tech Tub² Trolley

FTT1100 (1x)



Tech Tub 2[®]
10 Device
Main Body

1x



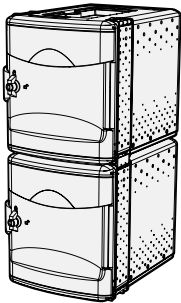
10 outlet
Power Strip
(255159)

1x

FTT2010-USB

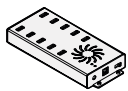
Tech Tub² Trolley

FTT1100-USB (1x)



Tech Tub 2[®]
10 Device
Main Body

1x



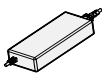
10 Port USB Hub
(255144)

1x



USB "B" Cable

1x



Power Adapter
(255146)

1x



Power Cord

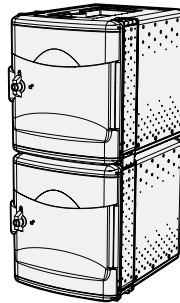
1x

North American
power cord shown.

FTT2010-USBAUS

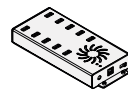
Tech Tub² Trolley

FTT1100-USBAUS (1x)



Tech Tub 2[®]
10 Device
Main Body

1x



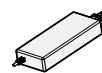
10 Port USB Hub
(255144-AUS)

1x



USB "B" Cable

1x



Power Adapter
(255146)

1x



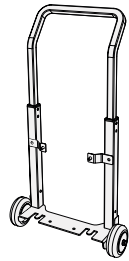
Power Cord

1x

Australian
power cord shown.

1

You will need: (Not to Scale)



Trolley Handle
1x

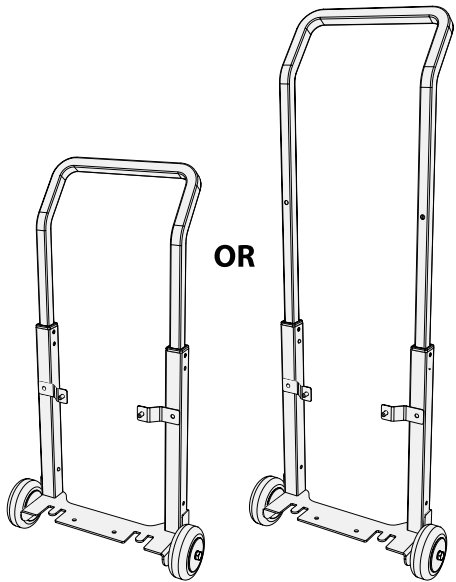
Trolley Frame
1x

Adjust Trolley Handle to the Correct Height

Adjust the Trolley Handle Into the Correct Position According to Your Model Number

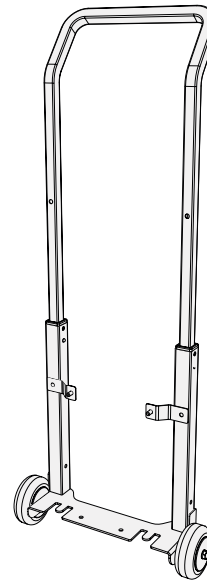
FTT706

Handle can be in raised or lowered position.



FTT2010/ FTT2010-USB/ FTT2010-USBAUS

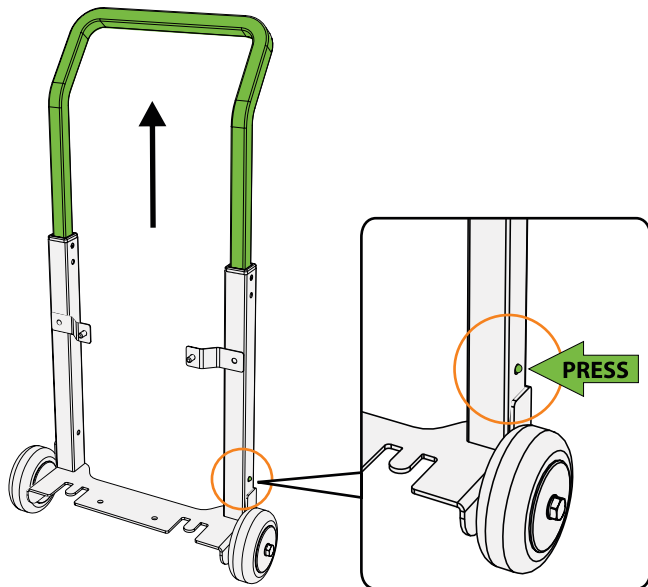
Handle MUST be in raised position.



How To Adjust Handle

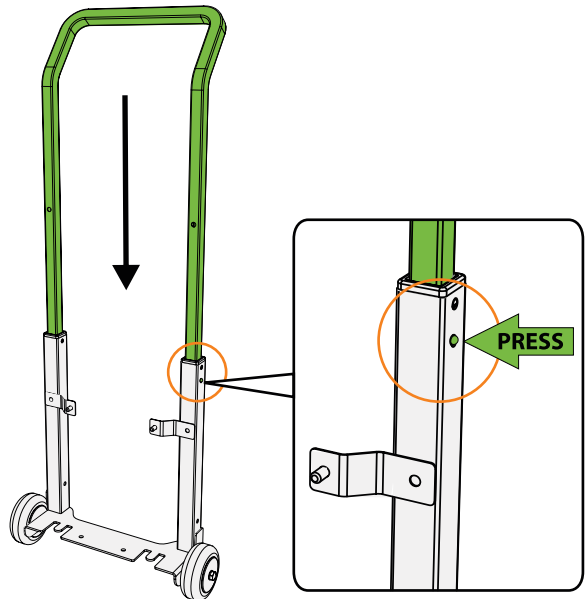
To Adjust Handle Up:

Depress button at the bottom and pull up on the handle.



To Adjust Handle Down:

Depress button at the top and push down on the handle.



2

FTT706 ONLY

Actual Size:



M5 Washer
2x



M5 Lock Nut
2x



You will need: (Not to Scale)

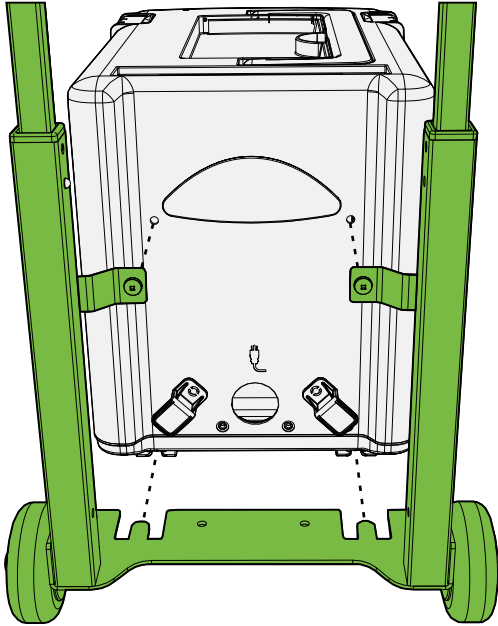


Trolley Handle
1x

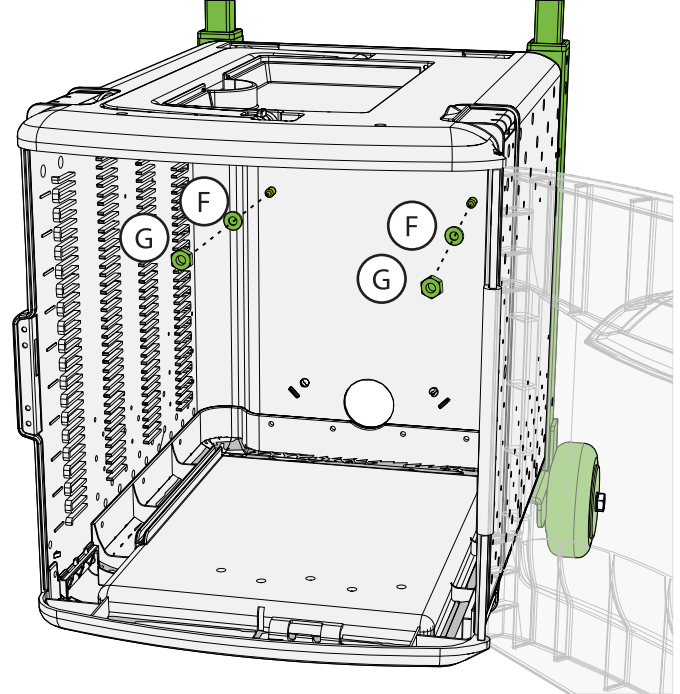
Trolley Frame
1x

Attach the Tech Tub² to the Trolley Frame

1 Fit Trolley Onto Back of Tech Tub



2 Fasten Hardware Through Inside of Tech Tub



! Ensure the tabs on the base of the trolley are fully inserted into the feet on the Tech Tub².

3

FTT2010,
FTT2010-USB,
FTT2010-USBAUS
ONLY

Actual Size:



M6 Acorn Nut
2x



M6 Washer
2x

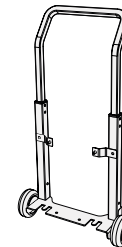
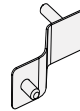


M6 Lock Washer
2x



You will need: (Not to Scale)

Extension
Bracket
2x

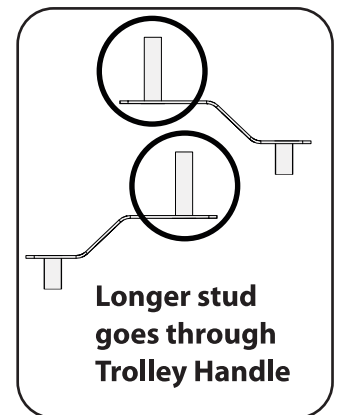
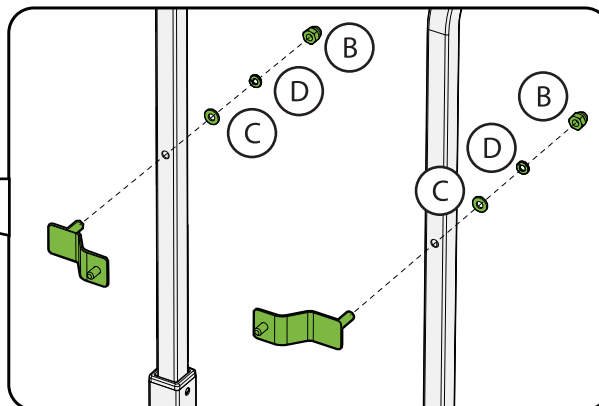
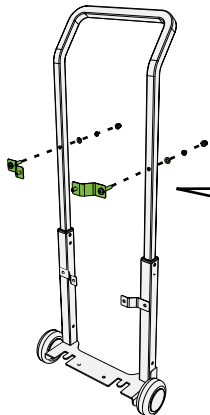


Trolley Handle
1x

Trolley Frame
1x

Fasten Extension Bracket to top Holes on Trolley Handle

Pay Attention to Orientation of Brackets When Installing Them Onto the Trolley Handle



Longer stud
goes through
Trolley Handle

4

FTT2010,
FTT2010-USB,
FTT2010-USBAUS
ONLY

Actual Size:



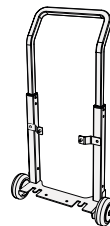
M5 Washer
4x



M5 Lock Nut
4x



You will need: (Not to Scale)



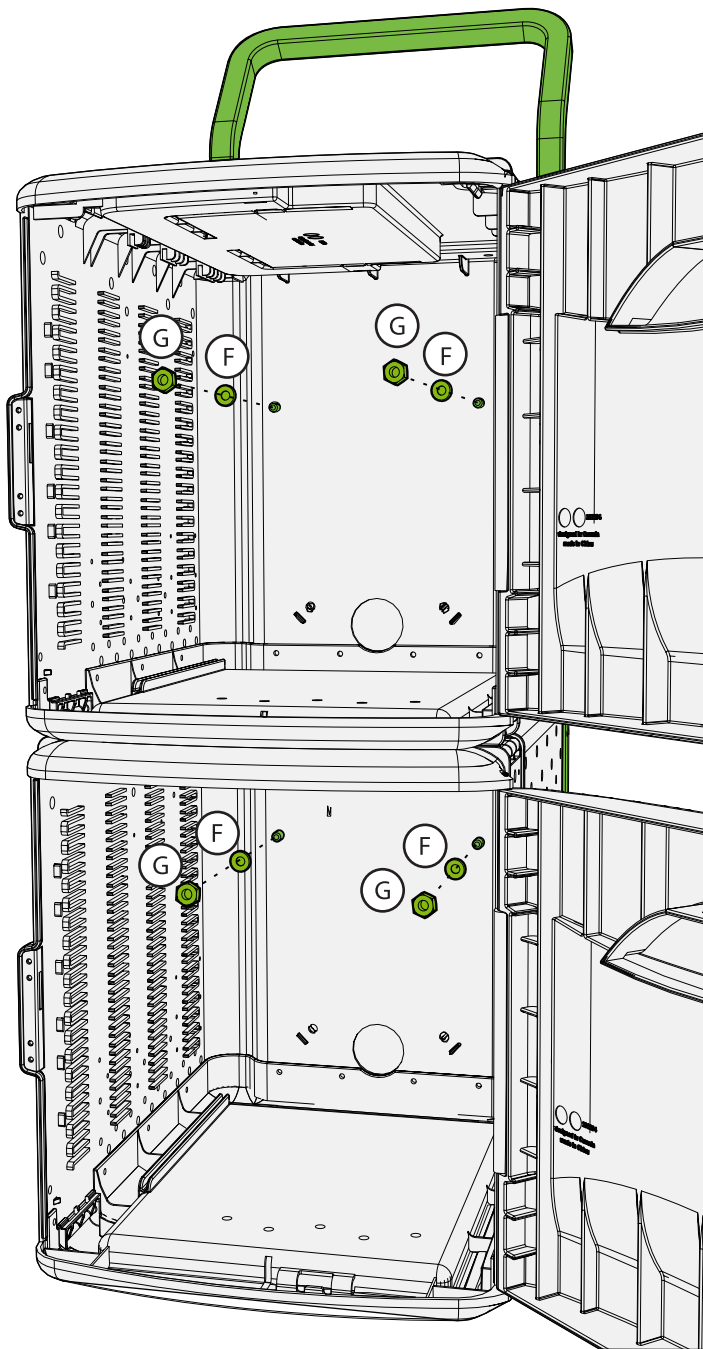
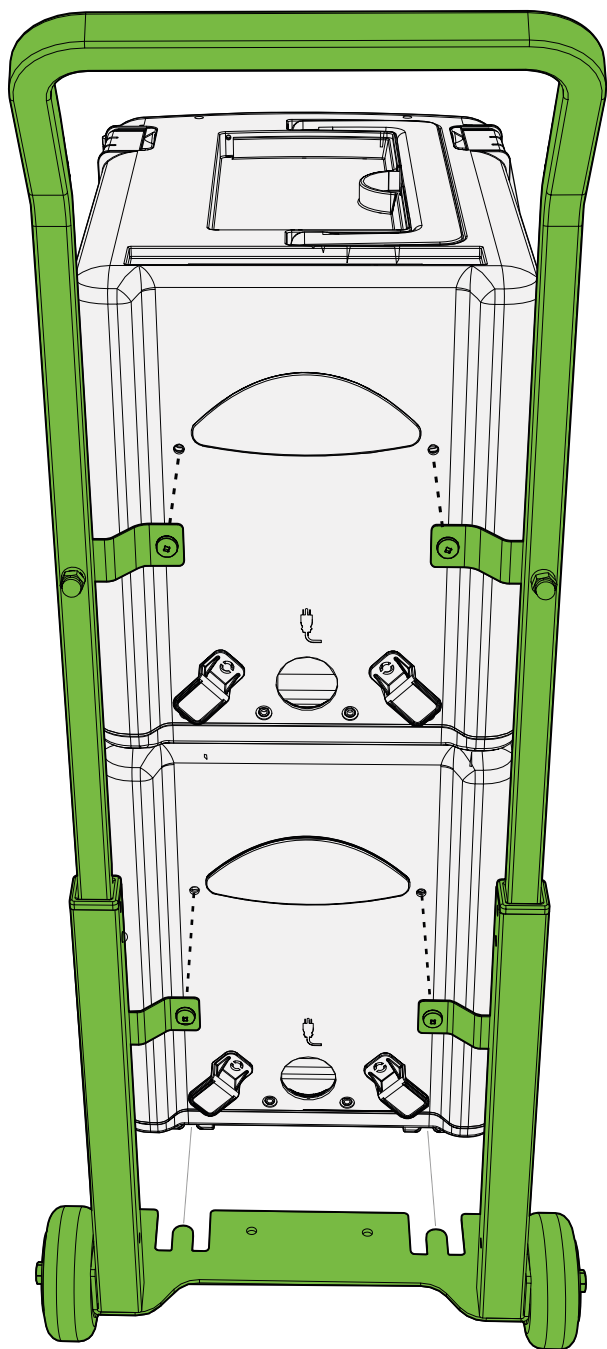
Trolley Handle
1x

Trolley Frame
1x

Attach the Tech Tub² to the Trolley Frame

1 Fit Trolley Onto Back of Tech Tub

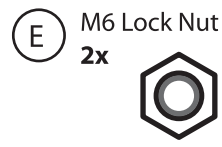
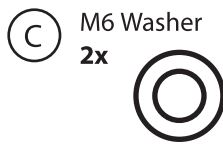
2 Fasten Hardware Through Inside of top and Bottom Tech Tub



! Ensure the tabs on the base of the trolley are fully inserted into the feet on the Tech Tub².

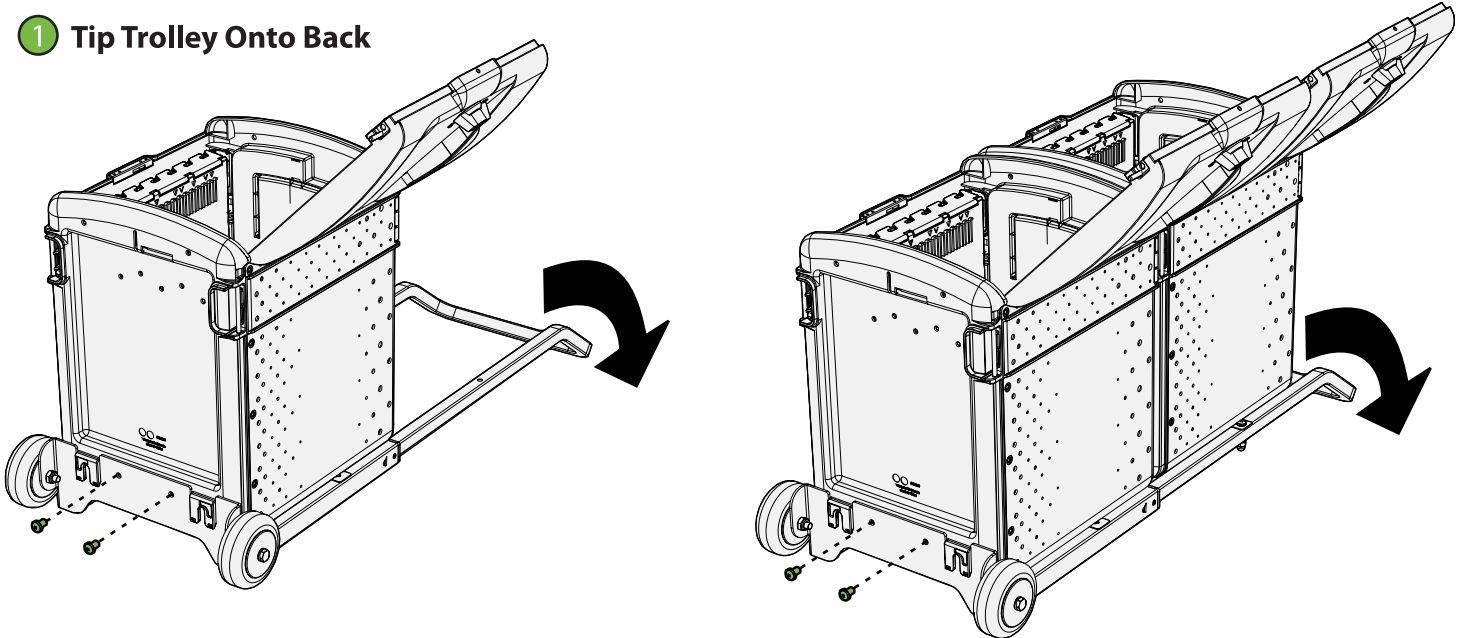
5

Actual Size:

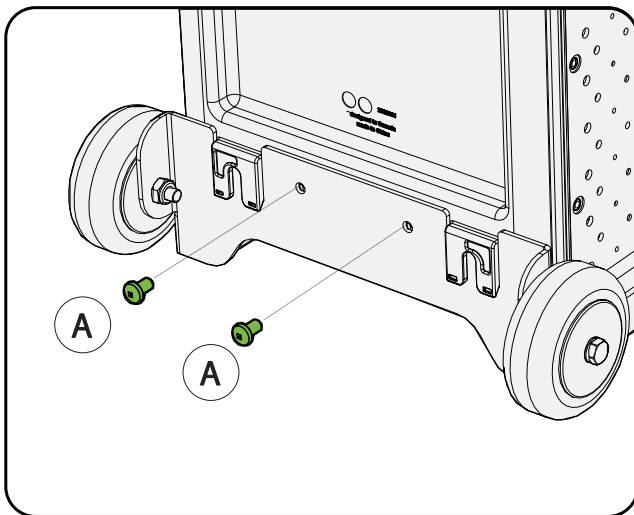


Fasten Trolley Base to Bottom of the Tech Tub²

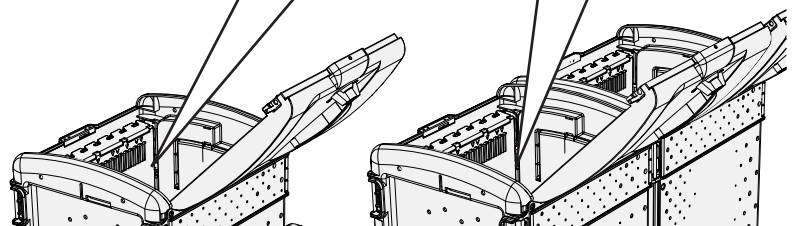
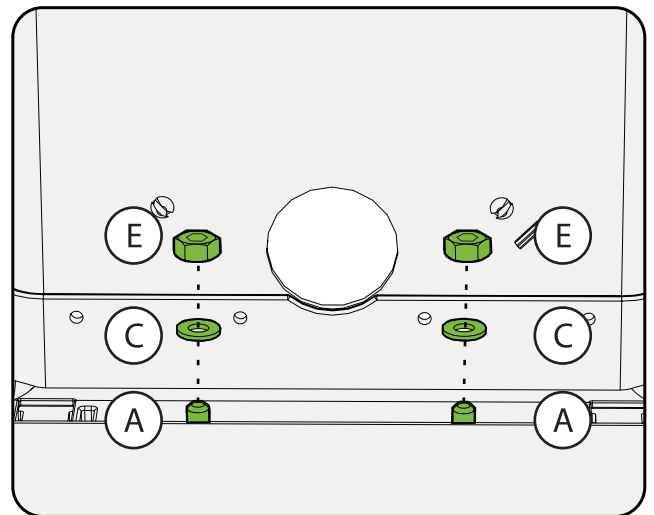
1 Tip Trolley Onto Back



2 Insert Fasteners Through Trolley and Tech Tub

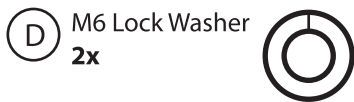
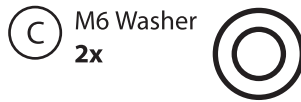
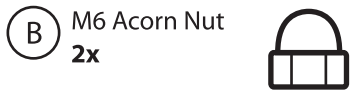


3 Fasten Hardware From Inside Tech Tub



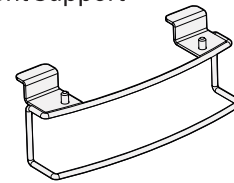
6

Actual Size:

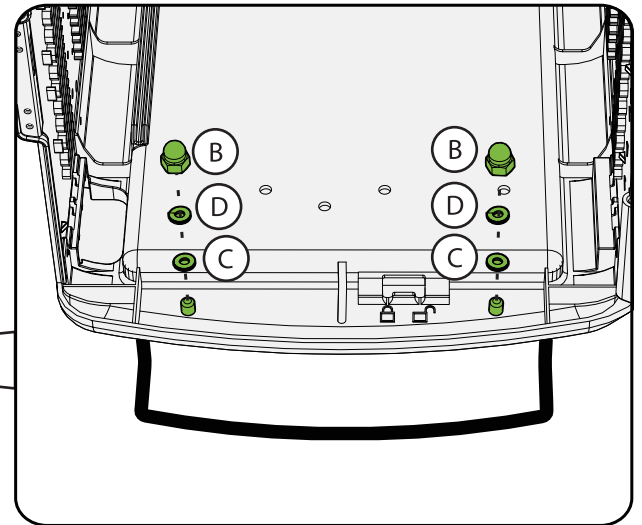
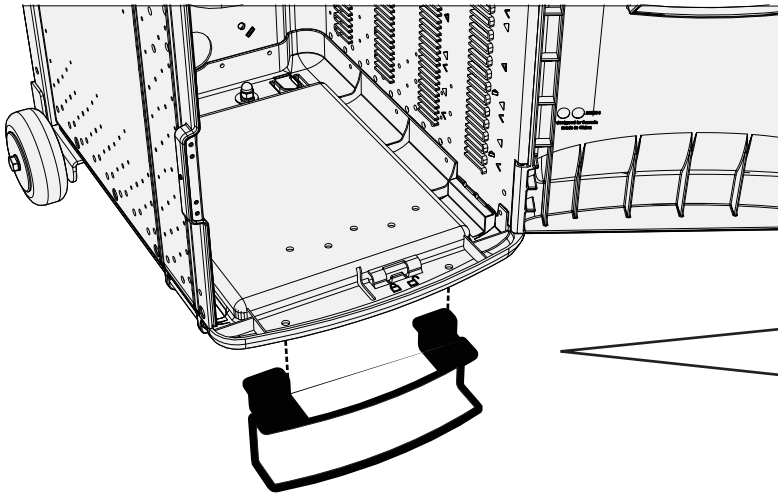


You will need: (Not to Scale)

Front Support
1x



Attach Front Support to Bottom of Tech Tub²



! Note the orientation of the Front Support before installation.

★ Tighten all hardware but do not over tighten.



Tech Tub² - 6 and 10 Device Setup:
Please follow the assembly guide found in the tub shipping box to complete your Tech Tub² setup.